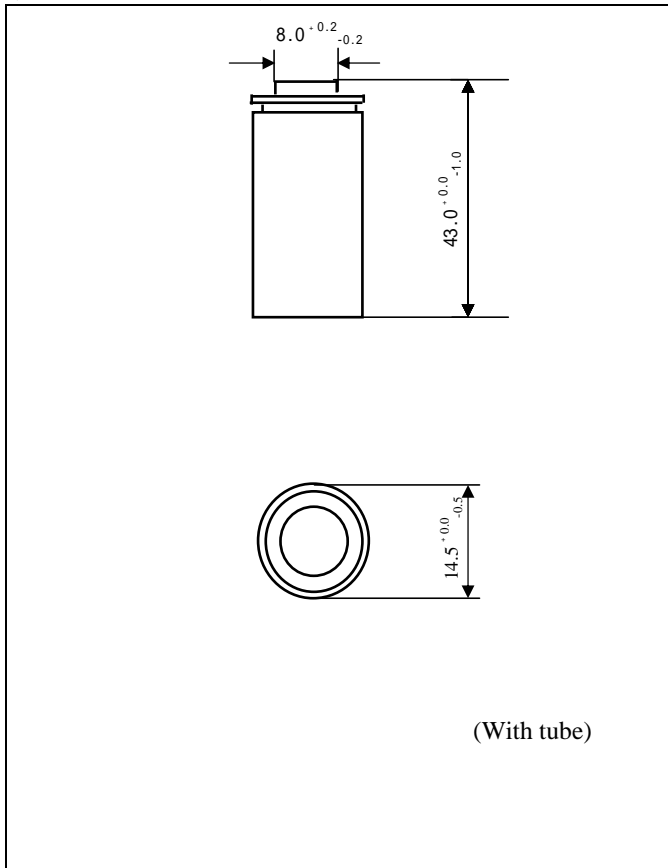


# Sealed Rechargeable Ni-MH Cylindrical Cell

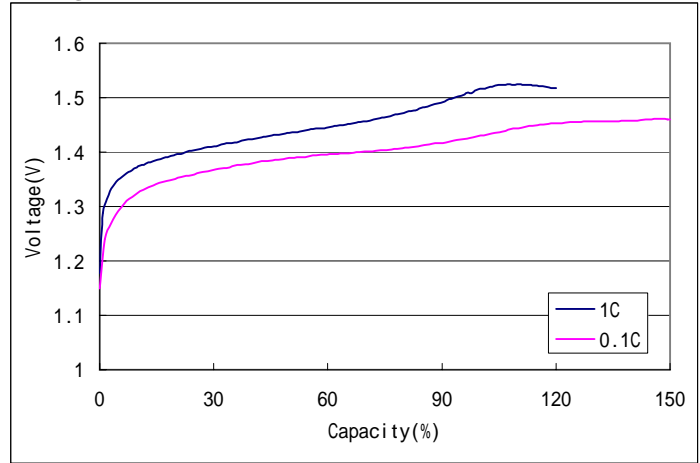
## Specifications

Nominal voltage		1.2V	
Capacity (mAh)		0.2C discharge	1C discharge
	Minimum	1100	1050
	Typical	1160	1100
Dimensions (mm)	Diameter	14.5 <sup>+0.0</sup> <sub>-0.5</sub>	
	Height	43.0 <sup>+0.0</sup> <sub>-1.0</sub>	
Weight (g)	22		
Charge	Standard	110mA(0.1C)×16hrs	
	Rapid	1100mA(1C)×1.2hrs or dV=-10mV	
Ambient temperature ( )	Standard charge	0 to 45	
	Rapid charge	10 to 45	
	Discharge	-20 to 65	
	Storage	-10 to 45	

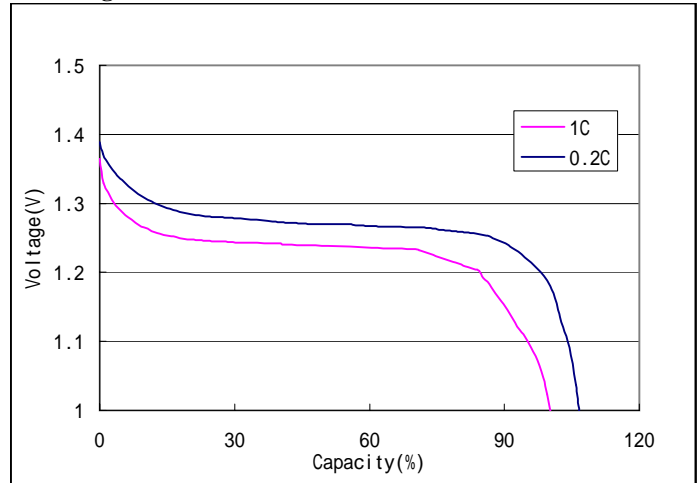
## (CELL DIMENSIONS)



## Charge Characteristics



## Discharge Characteristics



## Cycle Characteristics

