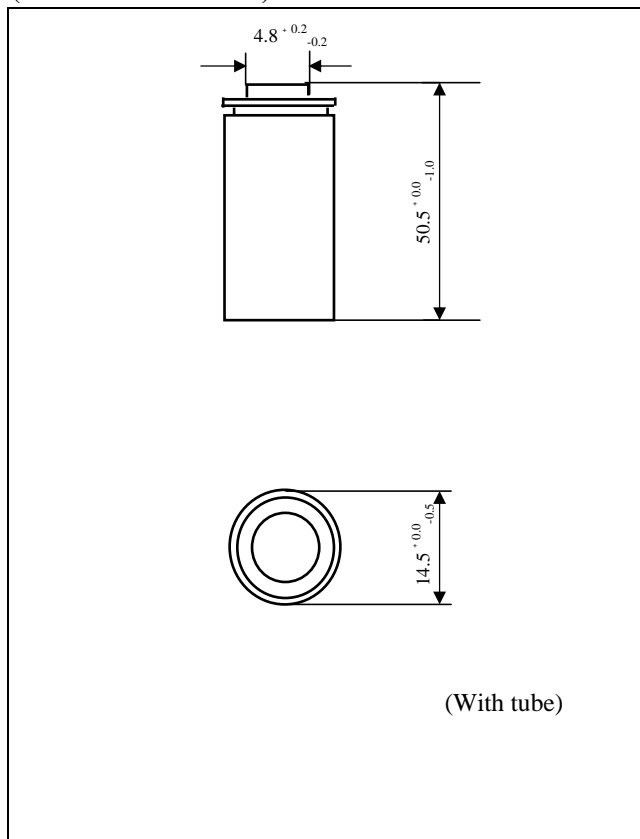


## Sealed Rechargeable Ni-MH Cylindrical Cell

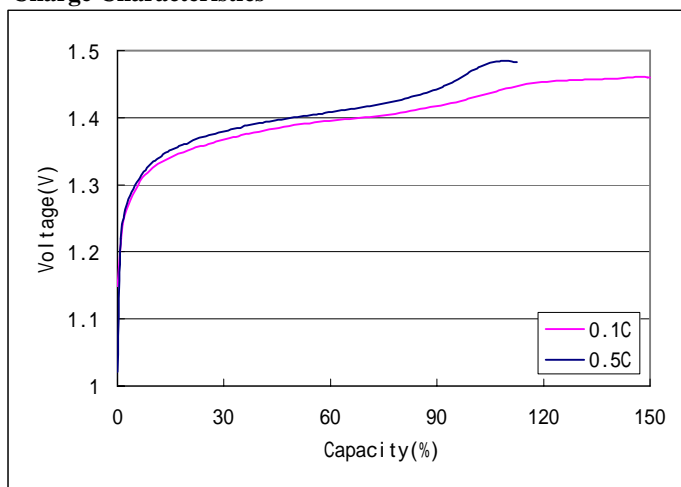
### Specifications

Nominal voltage		1.2V	
Capacity (mAh)	0.2C discharge		
	Minimum	2130	
	Typical	2150	
Dimensions (mm)	Diameter	$14.5^{+0.0}_{-0.5}$	
	Height	$50.5^{+0.0}_{-1.0}$	
Weight (g)	29		
Cycle life		500 cycles	
Charge	Standard	220mA(0.1C)×16hrs	
	Rapid	440mA(0.2C)×360mins or $dV=-10mV$	
Ambient temperature ( )	Standard charge	0 to 45	
	Rapid charge	10 to 45	
	Discharge	-20 to 65	
	Storage	-10 to 45	

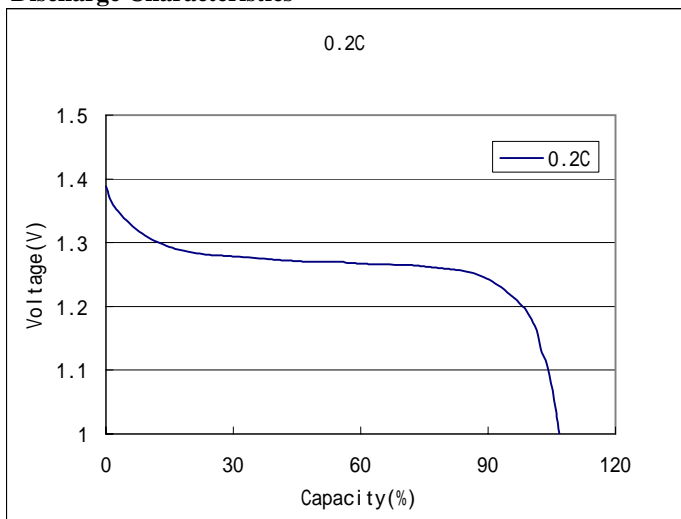
### (CELL DIMENSIONS)



### Charge Characteristics



### Discharge Characteristics



### Cycle Characteristics

