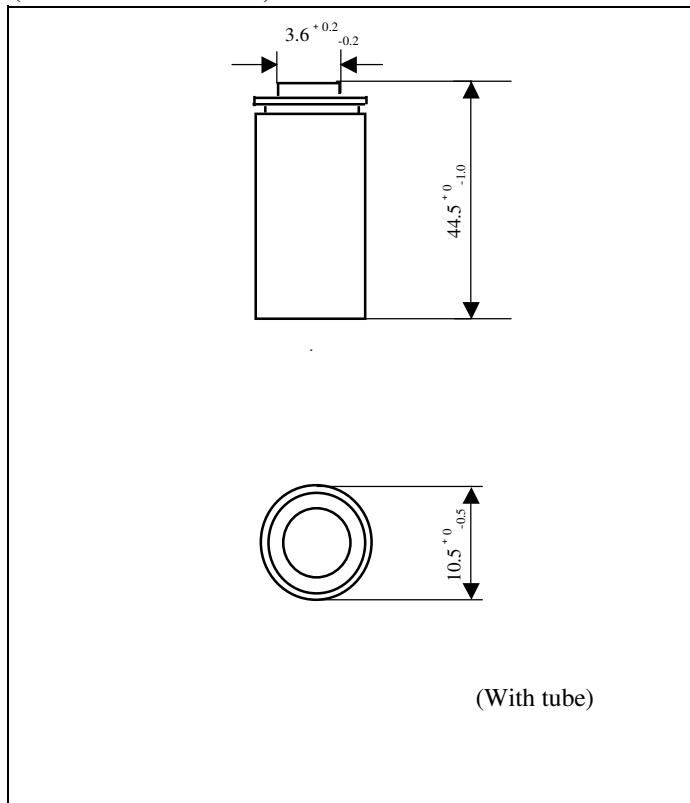


Sealed Rechargeable Ni-MH Cylindrical Cell

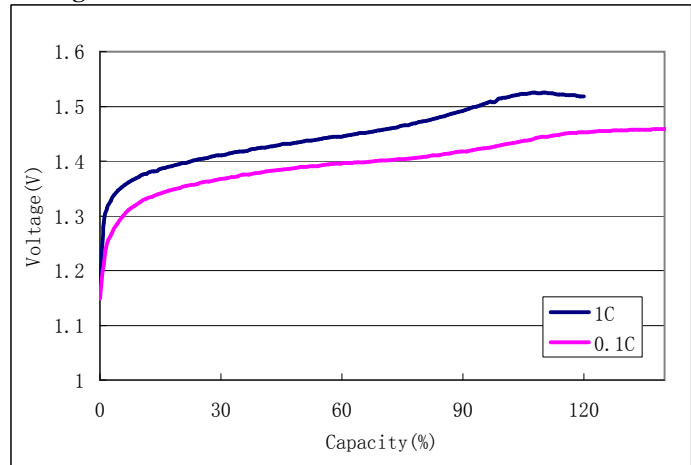
Specifications

Nominal voltage		1.2V	
Capacity (mAh)		0.2C discharge	1C discharge
	Minimum	780	710
	Typical	800	730
Dimensions (mm)	Diameter	10.5 ^{+0.0} _{-0.5}	
	Height	44.5 ^{+0.0} _{-1.0}	
Weight (g)	15		
Cycle life		500 cycles	
Charge	Standard	80mA(0.1C)×16hrs	
	Rapid	400mA(0.5C)×135mins and dV=-10mV	
Ambient temperature (°C)	Standard charge	0°C to 45°C	
	Rapid charge	10°C to 45°C	
	Discharge	-20°C to 65°C	
	Storage	-10°C to 45°C	

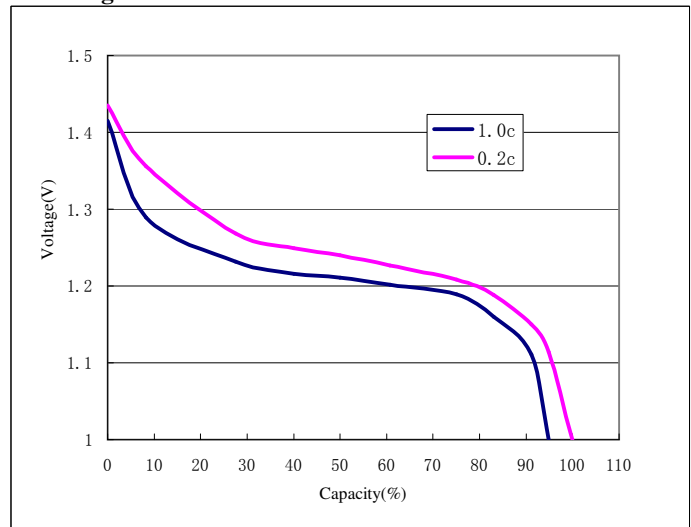
(CELL DIMENSIONS)



Charge Characteristics



Discharge Characteristics



Cycle Characteristics

