

## Data Sheet<sup>1</sup>

|                        |  |
|------------------------|--|
| Type Designation       | OSL-443441P-01   |
| <b>Dimensions [mm]</b> |  |
| Length (L)             | Max.41.2(without Tabs)                                 |
| Width (W)              | Max.33.8   |
| Thickness (T)          | Max. 4.2 (delivery status)<br>Max. 4.6 (after cycling) |
| Tab Distance           | 18 +-1   |
| Tab Length             | 15+-1  |
| Tab Width              | 4+-0.1   |
| Top Sealing Width      | >= 3.0   |
| Weight, approx. [g]    | 12.5   |

### Electrical Parameter

|  |   |
|--|---|
| Nominal Voltage [V]                    | 3.7 (average)                           |
| Typical capacity [mAh]                 | 620 (0.2C at 20°C)                      |
| Minimum capacity C [mAh]               | 590 (0.2C at 20°C)                      |
| Impedance initial [mΩ]                 | <70 @ 1kHz at 4.2V                      |
| Max. Charge [mA]                       | 590                                     |
| Max. Charge Voltage [V]                | 4.20                                    |
| Max. cont. Discharge [mA]              | 1180                                    |
| Discharge Cut off [V]                  | 3.0                                     |
| Life expectancy 1C / 1C, [20°C Cycles] | 500 >80% of initial capacity            |
| Operating temperature [°C]             | Charge: 0 to 45<br>Discharge: -20 to 60 |
| Storage Temperature                    | 6 month at -20 to +35°C                 |

### Safety Parameter

|                         |                                |
|-------------------------|--------------------------------|
| UL Recognition          | UL1642 - MH45908               |
| Overcharge 3C 4.8V      | No fire, no explosion          |
| Overdischarge 300hm 24h | No fire, no explosion          |
| Short Circuit <100mOhm  | No fire, no explosion, T<150°C |
| Heating 130°C 30min     | No fire, no explosion          |
| Nailing 2.5D            | No fire, no explosion          |

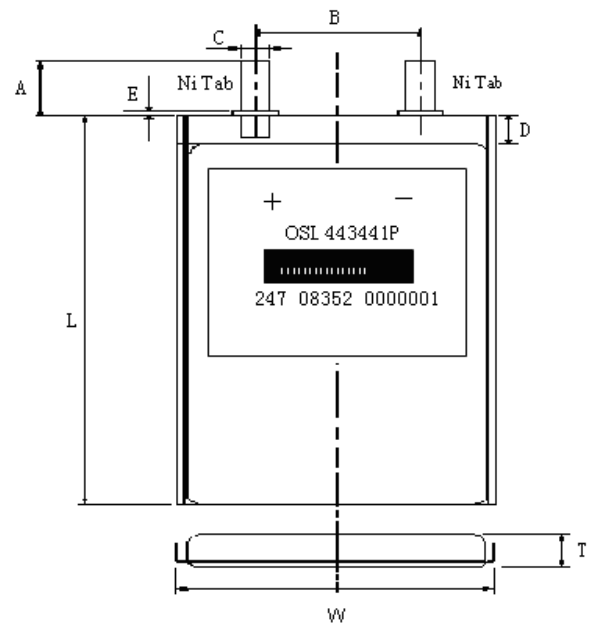
### Delivery Status

|               |            |
|---------------|------------|
| Cell Voltage  | 3.7 – 3.9V |
| Cell Capacity | 50-60%     |

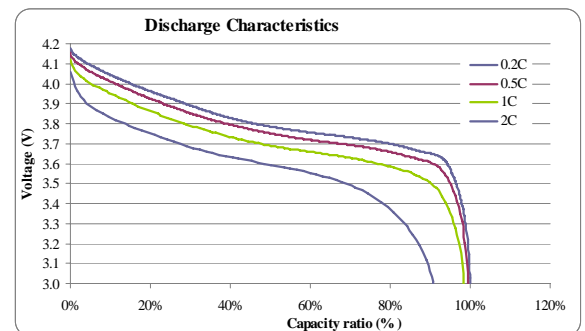
### Printing on the cell

|           |   |
|-----------|---|
| Type      | OSL443441P  |
| Date Code | yy=year, xx=cw, z=day<br>3.7V 590mAh 2.2Wh<br>Wheelie Bin |

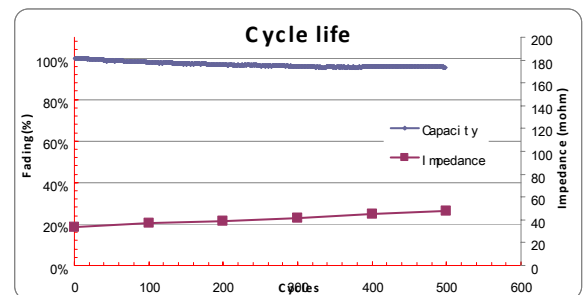
### Mechanical Drawing



### Rate Capability



### Cycle Life



<sup>1</sup> Prior to use read Handling Precaution and Prohibitions for Li-Polymer Batteries Subject to change without prior notice!