

Data Sheet¹

Type Designation OSL-503759P-01

Dimensions [mm]

Length (L) Max.59.5(without Tabs)
 Width (W) Max.37.5
 Thickness (T) Max. 5.35 (delivery status)
 Max. 5.70 (after cycling)
 Tab Distance 18 +-1
 Tab Length 9+-2
 Tab Width 4+-0.1
 Top Sealing Width >= 3.0
 Weight, approx. [g] 24.5

Electrical Parameter

Nominal Voltage [V] 3.7 (average)
 Typical capacity [mAh] 1330 (0.2C at 20°C)
 Minimum capacity C [mAh] 1270(0.2C at 20°C)
 Impedance initial [mΩ] <65 @ 1kHz at 4.2V
 Max. Charge [mA] 1270
 Max. Charge Voltage [V] 4.20
 Max. cont. Discharge [mA] 2540
 Discharge Cut off [V] 3.0
 Life expectancy 1C / 1C, [20°C Cycles] 500 >80% of initial capacity
 Operating temperature [°C] Charge: 0 to 45
 Discharge: -20 to 60
 Storage Temperature 6 month at -20 to +35°C

Safety Parameter

UL Recognition UL1642 - MH45908
 Overcharge 3C 4.8V No fire, no explosion
 Overdischarge 300hm 24h No fire, no explosion
 Short Circuit <100mOhm No fire, no explosion, T<150°C
 Heating 130°C 30min No fire, no explosion
 Nailing 2.5D No fire, no explosion

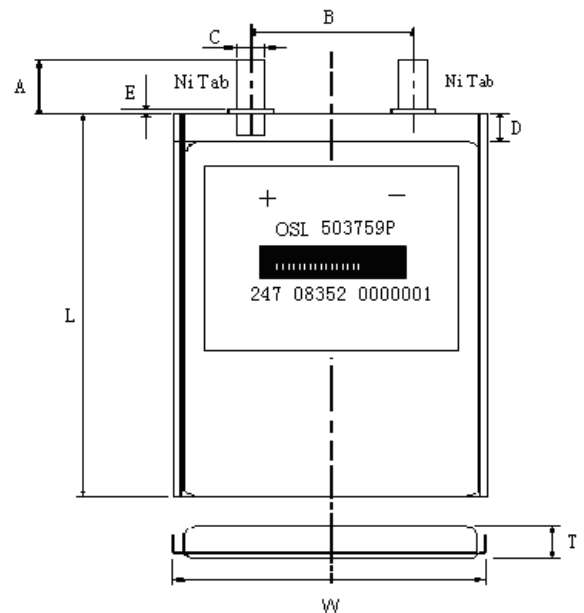
Delivery Status

Cell Voltage 3.7 – 3.9V
 Cell Capacity 50-60%

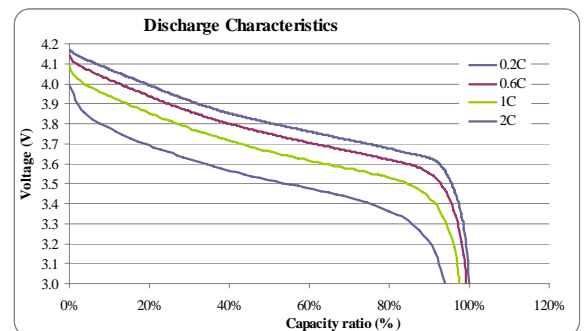
Printing on the cell

Type OSL503759P
 Date Code yyxxz yy=year, xx=cw, z=day
 3.7V 1270mAh 4.7Wh
 Wheelie Bin

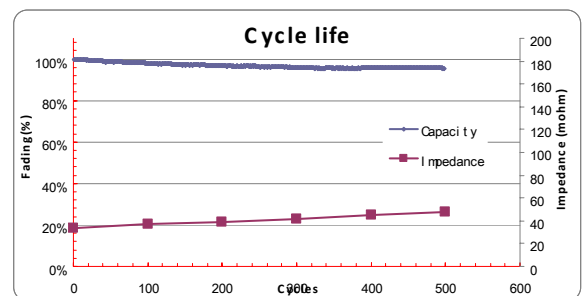
Mechanical Drawing



Rate Capability



Cycle Life



¹ Prior to use read Handling Precaution and Prohibitions for Li-Polymer Batteries Subject to change without prior notice!